

Eliminate Dropped Calls with **SureCall™** Amplifiers



PRODUCT CATALOG

2011



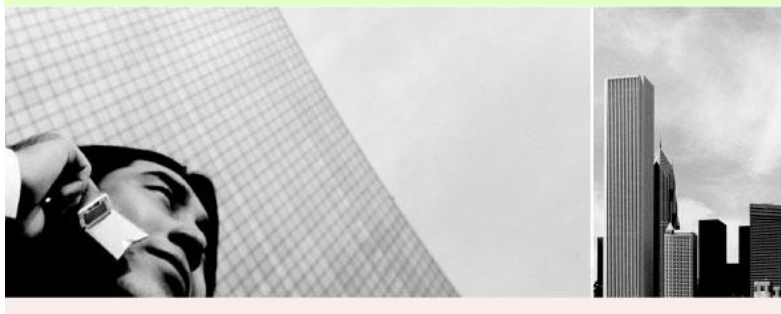


Eliminate Dropped Calls with SureCall™ Amplifiers



Company Information

Founded in 2001 and based in the Silicon Valley, Cellphone-Mate specializes in the design and manufacturing of high-quality metal cellphone signal amplifiers. These amplifiers dramatically improve communication for mobile, home and enterprise office settings. Our SureCall™ flagship product line of FCC-approved signal amplifiers boost the range and reception of almost any call. Our amplifiers complement most makes and models of cell phones, and are compatible with all cellular carriers and are backed by a 30-Day Money-Back Guarantee and a **2-Year Manufacturer's Warranty.**



Cellphone-Mate, Inc

48820 Kato Rd. Suite 300B

Fremont, CA 94538

Tel: 1-888-365-MATE(6283)

Fax: 1-510-996-7250

<http://www.Cellphone-Mate.com>



Eliminate Dropped Calls with
SureCall™ Amplifiers

Product List



Model	Item #	Description
In-Line Direct Connection Amplifiers		
CM2000	CM2000-19-RG	19dB Dualband Direct Connect Kit for ATMS or Modems. Includes RG58 Cable, magnetic antenna and power adapter.
	CM2000-WL-20N	20dB Dualband In-Line Booster amplifier for large buildings for use with other amplifiers or ATMS/Modems. Includes power adapter.
Mobile Direct Connection Amplifiers		
DUAL BAND CELLULAR/PCS (800/1900 MHz) Amplifiers		
CM2000	CM2000-19-DC	19dB Dualband Mobile Direct Connect Amplifier (requires separate adapter cable)
Mobile Wireless Amplifiers		
DUAL BAND CELLULAR/PCS (800/1900 MHz) Amplifiers		
CM2000-WL	CM2000-WL-20F	20dB Dualband Mobile Amplifier Package. (requires separate adapter cable) Includes magnetic antenna, patch antenna and power adapter. Works best with patch antenna next to cellphone.
	CM2000-WL-30	30dB Dualband Mobile Amplifier Package (single user). Includes magnetic antenna, patch antenna and power adapter. Works best with patch antenna next to cellphone.
	CM2000-WL-40 V3	40dB Dualband Mobile Amplifier Package. Includes magnetic antenna, patch antenna and AC and DC power adapters.
	CM2000-WL-45 V3	45dB Dualband Mobile Amplifier. Includes right angle antenna and AC and DC power adapters
	CM2000-WL-45KIT	45dB Dualband Mobile Amplifier Kit. Includes right angle antenna, outside antenna, cable and AC & DC power adapters
Wireless Building Amplifiers		
DUAL BAND CELLULAR/PCS (800/1900 MHz) Amplifiers		
CM2000-WL	CM2000-WL-55	55dB In-Bldg Wireless Dualband Amplifier for residence/office up to 2,000 sq ft
	CM2000-WL-55KIT	55dB In-Bldg Wireless Dualband Amplifier KIT (includes antennas and cables)
	CM2000-WL-62	62dB In-Bldg Wireless Dualband Amplifier for office/home from 2,000 to 6,000 sq ft
	CM2000-WL-62KIT	62dB In-Bldg Wireless Dualband Amplifier KIT (includes antennas and cables)
CM2020	CM2020-68	68dB In-Bldg Reconfigurable Wireless Dualband Amplifier for office/warehouse up to 60,000 sq ft
	CM2020-68KIT	68dB Kit In-bldg Reconfigurable Wireless Dual Band Kit for office/warehouse up to 60,000 sq ft - includes indoor and outdoor antennas and cable
SINGLE BAND 800 MHz Amplifiers - (824-849 MHz uplink, 869-894 downlink) for small office/home office with single carrier service		
CM800	CM800-55	55 dB In-Bldg Wireless Cellular Amplifier (includes 9V AC power supply)
	CM800-60	60dB In-Bldg Wireless Cellular Amplifier (includes 9V AC power supply)
	CM800-65	65dB In-Bldg Wireless Cellular Amplifier (includes 9V AC power supply)
	CM800-70	70dB In-Bldg Wireless Cellular Amplifier (includes 9V AC power supply)
SINGLE BAND 800iDEN MHz Amplifiers - (806-821 MHz uplink, 851-866 downlink) for small office/home office with single carrier iDEN service (Nextel)		
CM800iDEN	CM800iDEN-65	65dB in-Bldg 800iDEN Wireless Cellular Amplifier (includes 9V AC power supply)
SINGLE BAND 1900 MHz Amplifiers - (1850-1910 MHz uplink, 1930-1990 downlink) for small office/home office with single carrier service		
CM1900	CM1900-55	55dB In-Bldg Wireless Cellular Amplifier (includes 9V AC power supply)
	CM1900-60	60dB In-Bldg Wireless Cellular Amplifier (includes 9V AC power supply)
	CM1900-65	65dB In-Bldg Wireless Cellular Amplifier (includes 9V AC power supply)

Cellphone-Mate, Inc

TEL: 1-888-365-MATE(6283)

FAX: 1-510-996-7250

www.Cellphone-Mate.com



Eliminate Dropped Calls with
SureCall™ Amplifiers

Product List



Model	Item #	Description
SINGLE BAND 900 MHz Amplifiers - (890-915 MHz uplink, 935-960 downlink) European and Asian frequencies		
CM900	CM900-55	55dB GSM In-Bldg Wireless Cellular Amplifier (includes 9V AC power supply)
	CM900-60	60dB GSM In-Bldg Wireless Cellular Amplifier (includes 9V AC power supply)
	CM900-65	65dB GSM In-Bldg Wireless Cellular Amplifier (includes 9V AC power supply)
SINGLE BAND AWS Amplifier - (1710-1755 MHz uplink, 2110-2155 downlink)		
NEW	CM2100-62	62dB In-Bldg Wireless AWS Amplifier for office/home from 2,000 to 6,000 sq ft
Cellular Antennas		
MOBILE ANTENNAS		
	CM200	Dual Band Magnetic Mount 12" Antenna 800 - 1900 MHz
	CM200-S	Dual Band Magnetic Mount Short 6" Antenna 800 - 1900 MHz
	CM130-M	Trucker Mirror Mount Antenna (with mounting kit) 800 - 1900 MHz
	CM110	Dual Band Patch Antenna (connects directly to amplifier) 800 - 1900 MHz
	CM120	Dual Band Right Angle Rubber Antenna (connects directly to amplifier) 800 - 1900 MHz
IN-BUILDING INDOOR ANTENNAS		
	CM222	Dual Band Dome Antenna (3dB) includes mounting kit 800 - 1900 MHz
NEW	CM222W	Full Band Dome Antenna (3dB) includes mounting kit 700 - 2700 MHz
	CM223	Dual Band Dome Antenna (5.5dB) includes mounting kit 800-1900 MHz
	CM224	Dual Band Light Fixture Design Dome Antenna includes mounting kit 800-1900 MHz
	CM248	Dual Band Panel Antenna includes mounting kit 800 - 1900 MHz
NEW	CM248W	Full Band Panel Antenna includes mounting kit 700 - 2700 MHz
IN-BUILDING OUTDOOR ANTENNAS		
	CM288	Dual Band Omni-directional Fiberglass (3dB/4dB) antenna - includes mounting kit 800 - 1900 MHz
NEW	CM288W	Full Band Omni-directional Fiberglass (3dB/4dB) antenna - includes mounting kit 700-2700 MHz
	CM100-S	Dual Band Omni-directional Fiberglass Short (5dB) Antenna - includes mounting kit 800-1900 MHz
	CM100-L	Dual Band Omni-directional Fiberglass Long (9dB) Antenna - includes mounting kit 800-1900 MHz
	CM230-D	Dual Band Yagi Directional (14dB) Antenna - includes mounting kit 800-1900 MHz
NEW	CM230-W	Full Band Yagi Directional (14dB) Antenna includes mounting kit 700-2700 MHz
	CM230-800	Single Band 800MHz Yagi Directional Antenna (14dB) includes mounting kit
	CM230-1900	Single Band 1900MHz Yagi Directional Antenna (14dB) includes mounting kit
Coax Cables		
CM400 Coax Cable (Offer Black or White Color)		
	CM001-02/CM002-02	2 FT CM400 Ultra Low Loss Coax Cable with N-Male connectors
	CM001-10/CM002-10	10 FT CM400 Ultra Low Loss Coax Cable with N-Male connectors
	CM001-20/CM002-20	20 FT CM400 Ultra Low Loss Coax Cable with N-Male connectors
	CM001-30/CM002-30	30 FT CM400 Ultra Low Loss Coax Cable with N-Male connectors
	CM001-50/CM002-50	50 FT CM400 Ultra Low Loss Coax Cable with N-Male connectors
	CM001-75/CM002-75	75 FT CM400 Ultra Low Loss Coax Cable with N-Male connectors
	CM001-100/CM002-100	100 FT CM400 Ultra Low Loss Coax Cable with N-Male connectors
	CM001-500/CM002-500	500 FT CM400 Ultra Low Loss Coax Cable with N-Male connectors
	CM001-1000	1000 FT CM400 Ultra Low Loss Coax Cable with N-Male connectors

Cellphone-Mate, Inc

TEL:1-888-365-MATE(6283)

FAX:1-510-996-7250

www.Cellphone-Mate.com



Eliminate Dropped Calls with
SureCall™ Amplifiers

Product List



Model	Item #	Description
CM240 Coax Cable		
	CM004-10-FF	10FT White CM240 Ultra Low Loss Coax Cable with FME-Female/FME-Male connectors
	CM004-10-FN	10FT White CM240 Ultra Low Loss Coax Cable with FME-Female/N-Male connectors
	CM004-20-FF	20FT White CM240 Ultra Low Loss Coax Cable with FME-Female/FME-Male connectors
	CM004-20-FN	20FT White CM240 Ultra Low Loss Coax Cable with FME-Female/N-Male connectors
	CM004-40-FN	40FT White CM240 Ultra Low Loss Coax Cable with FME-Female/N-Male connectors
RG58 Coax Cable		
	CMRG58-6	6 FT RG58 Low Loss Coax Cable with FME connectors
	CMRG58-20	20 FT RG58 Low Loss Coax Cable with FME connectors
	CMRG58-30	30 FT RG58 Low Loss Coax Cable with FME connectors
	CMRG58U-20	20 FT RG58U Low Loss Coax Cable with FME connectors (stranded core)
Amplifier Accessories		
Splitters		
	CM-S-2	2 WAY Splitter
	CM-S-3	3 WAY Splitter
	CM-S-4	4 WAY Splitter
Couplers		
	CM-C-6	— 6dB Coupler
	CM-C-10	— 10dB Coupler
Connectors		
	CM-CN-01	N Female to N Female Connector
	CM-CN-02	N Male to SMA Female Connector
	CM-CN-03	N Male to FME Female Connector
	CM-CN-04	N Male to FME Male Connector
	CM-CN-05	N Male to SMA Male Connector
	CM-CN-06	SMA Male to FME Male Connector
	CM-CN-07	N Female to SMA Male Cable Connector
	CM-CN-08	SMA Male to FME Female Connector
	CM-CN-09	N Male Connector
	CM-CN-10	N Female to FME Female Connector
	CM-CN-11	N Female to FME Male Connector
	CM-CN-12	N Male to N Male Connector
Lightning Protector		
	CM-LP	Lightning Protector
Power Supplies		
	CMAC-01	9V AC Power Supply
	CMAC-02	6V AC Power Supply
	CMDC-01	6V DC Car Charger Curled Cord
	CMDC-03	6V DC Car Charger Straight Cord
	CMDC-04	12V DC Car Charger

Cellphone-Mate, Inc

TEL: 1-888-365-MATE(6283)

FAX: 1-510-996-7250

www.Cellphone-Mate.com

Part Number: CM2000-19dB-RG58

Direct Connect Dual Band Amplifier

FCC ID: RSNDUAL-CM2000



Overview

The SureCall™ CM2000-WL 19dB amplifier is designed for use in modems and ATM's. The amplifier connects directly to the ATM or modem using the RG58 cable. This dual-band(800/1900Mhz) amplifier works with all major CDMA, TDMA, and GSM carriers.

Features

- Dual band 800 & 1900 MHz –(PCS and Cellular Band)
- 19 dB Gain
- Operates with CDMA, GSM, GPRS, TDMA, AMPS and all other standard cell phone networks
- 6V efficient design operate cooler
- Built-in Protection circuit prevents damage
- Easy to install

Technical Specifications

Frequency	Uplink 824-849 MHz and 1850-1910 MHz Downlink: 869-894 MHz and 1930-1990 MHz
Input Impedance	50 ohm
Maximum Gain	19dB Cellular 19dB PCS
VSWR	≤2:1
Standard Supported	CDMA/WCDMA,GSM,EDGE,TDMA AMPS etc.
AC Power Transformer	Input AC110V, 60Hz; Output: DC6V
Maximum RF Output Power	2 Watts PCS/ 3 Watts CELLULAR
Noise Figure	6 dB
Cable	RG 58
RF connectors	FME indoor port / SMA outdoor port
Power Consumption	<6W

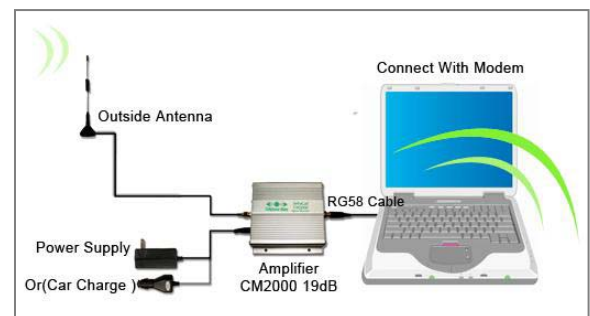
How it Works and Contents:

This amplifier is suitable modems and ATM's where you need dual-band coverage. The amplifier must be connected directly to your modem or ATM with the RG58 cable included.

Package includes:

1. CM2000 amplifier with connectors: FME/SMA female type
2. Magnetic Mount Antenna
3. Patch Antenna
4. RG 58 Cable
5. 110 AC Power Adaptor
6. User Manual

[DC Vehicle CM2000-19dB-DC Kit also available](#)



Tel: 1-888-365-6283 Fax: 1-510-996-7250
48820 Kato Rd. Suite 300B. Fremont, CA 94538
www.Cellphone-Mate.com

Part Number: CM2000-19dB-DC

Direct Connect Dual Band Amplifier

FCC ID: RSNDUAL-CM2000

Overview

The SureCall™ CM2000-WL 19dB amplifier is designed for use in cars, trucks, and boats. The amplifier connects directly to the phone through a phone-specific adapter cable plugged into the phone antenna port. This dual-band (800/1900MHz) provides 19 dB gain and works with all major CDMA, TDMA, and GSM carriers. The direct connection works better than the wireless amplifiers in rural areas with weak signal.

Features

- Dual band 800 & 1900 MHz –(PCS and Cellular Band)
- 19 dB Gain
- Operates with CDMA, GSM, GPRS, TDMA, AMPS and all other standard cell phone networks
- Easy to install
- IMPORTANT – this amplifier connects to your phone via a phone specific adapter cable (purchased separately). Please note, not all phones have an antenna port.

Technical Specifications

Frequency	Uplink 824-849 MHz and 1850-1910 MHz Downlink: 869-894 MHz and 1930-1990 MHz
Input Impedance	50 ohm
Maximum Gain	19dB Cellular 19dB PCS
VSWR	≤2:1
Standard Supported	CDMA/WCDMA,GSM,EDGE,TDMA AMPS etc.
AC Power Transformer	Input AC110V, 60Hz; Output: DC6V
DC Power	Fused cigarette lighter
Maximum RF Output Power	2 Watts PCS/ 3 Watts CELLULAR
Noise Figure	6 dB
RF connectors	FME indoor port / SMA outdoor port
Power Consumption	<6W



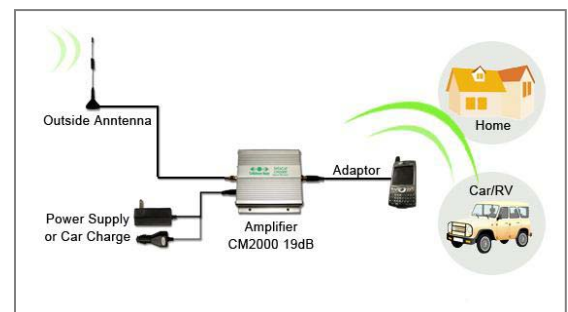
How it Works and Contents:

This amplifier is suitable for cars, truck and boats where you need dual-band coverage. The amplifier must be connected directly to your cellphone with a phone specific adapter cable (purchased separately).

Package includes:

1. CM2000 amplifier with connectors: FME/SMA female type
2. Magnetic Mount Antenna
3. Patch Antenna
4. Car Charger
5. 110 AC Power Adaptor
6. User Manual

[CM2000-19dB-RG58 Kit also available](#)



Tel: 1-888-365-6283 Fax: 1-510-996-7250
48820 Kato Rd. Suite 300B. Fremont, CA 94538
www.Cellphone-Mate.com

Part Number: CM2000-WL 20dB-N

In-line Dual Band Amplifier

FCC ID: RSNDUAL-62UNDER Canada IC 7784AD62UNDER

Overview

The SureCall™ CM2000 20dB amplifier is primarily designed for use as an in-line booster amplifier in large building systems to boost signal in large coax runs or in cellular modem applications such as ATM's monitoring LOTTO machines, etc. This dual-band (800/1900MHz) provides 20 dB of additional gain and works with all major CDMA, TDMA, and GSM carriers.

Features

- Dual band 800 & 1900 MHz –(PCS and Cellular Band)
- 20dB Gain
- Operates with CDMA, GSM, GPRS, TDMA, AMPS and all other standard cell phone networks
- Oscillation indicator lights
- Efficient design with metal casing operates cooler

Technical Specifications

Frequency	Uplink 824-849 MHz and 1850-1910 MHz Downlink: 869-894 MHz and 1930-1990 MHz
Input Impedance	50 ohm
Maximum Gain	20dB Cellular 20dB PCS
VSWR	≤2:1
Standard Supported	CDMA/WCDMA,GSM,EDGE,TDMA AMPS etc.
AC Power Transformer	Input AC110V, 60Hz; Output: DC6V
DC Power (optional)	12V/6V
Maximum RF Output Power	3 Watts EIRP
Noise Figure	5 dB
Cable	LMR400 or CM400 recommended
RF connectors	N female connectors
Power Consumption	<10W



How it Works and Contents:

This direct connect amplifier is suitable for use as an in-line booster for use with our CM2000 65 dB or CM2000 68 dB amplifiers in large building and warehouses. It can also be used in cellular modem applications that require dual band.

1. CM2000 20 dB amplifier with N connectors
2. 110 AC Power Adaptor
3. User Manual
4. Velcro and Screw Mounting Kits

[20 dB Vehicle Kit also available](#)



Tel: 1-888-365-6283 Fax: 1-510-996-7250
48820 Kato Rd. Suite 300B. Fremont, CA 94538
www.Cellphone-Mate.com

Part Number: CM2000-WL 20dB-F

Direct Connect Dual Band Amplifier

FCC ID: RSNDUAL-62UNDER Canada IC 7784AD62UNDER

Overview

The SureCall™ CM2000-WL 20dB amplifier is designed for use in cars, trucks, and boats. The amplifier connects directly to the phone through a phone-specific adapter cable plugged into the phone antenna port. This dual-band (800/1900MHz) provides 20 dB gain and works with all major CDMA, TDMA, and GSM carriers. The direct connection works better than the wireless amplifiers in rural areas with weak signal.

Features

- Dual band 800 & 1900 MHz –(PCS and Cellular Band)
- 20dB Gain
- Operates with CDMA, GSM, GPRS, TDMA, AMPS and all other standard cell phone networks
- Easy to install
- IMPORTANT – this amplifier connects to your phone via a phone specific adapter cable.(purchased separately). Please note, not all phones have an antenna port.

Technical Specifications

Frequency	Uplink 824-849 MHz and 1850-1910 MHz Downlink: 869-894 MHz and 1930-1990 MHz
Input Impedance	50 ohm
Maximum Gain	20dB Cellular 20dB PCS
VSWR	≤2:1
Standard Supported	CDMA/WCDMA,GSM,EDGE,TDMA AMPS etc.
AC Power Transformer	Input AC110V, 60Hz; Output: DC6V
DC Power	Fused cigarette lighter
Maximum RF Output Power	3 Watts EIRP
Noise Figure	6 dB
RF connectors	FME indoor port / SMA outdoor port
Power Consumption	<6W



How it Works and Contents:

This amplifier is suitable for cars, truck and boats where you need dual-band coverage. The amplifier must be connected directly to your cellphone with a phone specific adapter cable (purchased separately).

Package includes:

1. CM2000 20 dB amplifier with connectors: FME connectors
2. Magnetic Mount Antenna
3. Car Charger
4. 110 AC Power Adaptor
5. User Manual
6. Velcro and Screw Mounting Kits

20 dB In-line Booster also available



Tel: 1-888-365-6283 Fax: 1-510-996-7250
48820 Kato Rd. Suite 300B. Fremont, CA 94538
www.Cellphone-Mate.com

Part Number: **CM2000-WL 30dB**

Dual Band Wireless Mobile Amplifier

FCC ID: RSNDUAL-62UNDER Canada IC 7784AD62UNDER

Overview



Add a cellphone amplifier to your vehicle and stay connected in the most challenging of geographical locations. By increasing a weak signal, the CM2000-WL 30dB lets you make and receive clear calls in what would have been a dead zone. This amplifier is compatible with all major US carriers with the exception of Nextel. The kit comes with an interior low profile antenna that will rebroadcast the amplified cell signal throughout your car or truck.

Features

- Dual Band 800 and 1900 MHz
- 30 dBi gain
- Easy to Install
- Operates with CDMA, GSM, GPRS, TDMA, AMPS and all other standard cell phone networks
- 2 Year manufacturer's warranty
- Full kit – no extra parts necessary

Technical Specifications

Frequency	Uplink 824-849/1850-1910MHz Downlink: 869-894/1930-1990 MHz
Input Impedance	50 ohm
Maximum Gain	30dB Cellular/ 30dB PCS
VSWR	≤2.1
Standard Supported	CDMA/WCDMA,GSM,EDGE,TDMA AMPS etc.
AC Power (Optional)	Input AC110V, 60Hz; Output: DC6V
DC Power	12V/6V
Maximum RF Output Power	3Watts EIRP
Noise Figure	5dB
RF connectors	FME Male connectors on both ends
Power Consumption	<10W

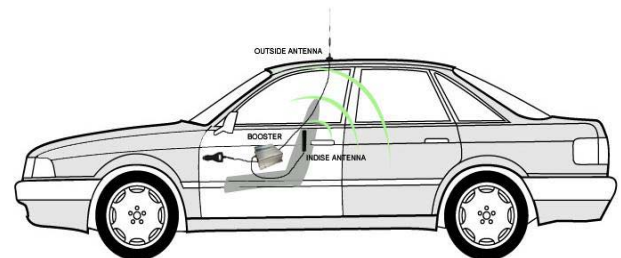


How it Works and Contents

This complete system can be setup quickly and moved between vehicles. It includes all the necessary components; amplifier, antennas, and power supplies.

Package includes:

1. CM2000 30 dB amplifier
2. 5dB magnetic antenna (for mounting on roof of vehicle)
3. Patch antenna (for interior of vehicle)
4. DC power adapter
5. AC power adapter
6. Velcro and screw mounting kit



Tel: 1-888-365-6283 Fax: 1-510-996-7250
48820 Kato Rd. Suite 300B. Fremont, CA 94538
www.Cellphone-Mate.com

Part Number: CM2000-WL 40dB V3.0

Dual Band Wireless Mobile Amplifier KIT

FCC ID: RSNDUAL-62UNDER Canada IC 7784AD62UNDER

Overview



Add a cellphone amplifier to your vehicle and stay connected in the most challenging of geographical locations. By increasing a weak signal, the CM2000-WL 40dB lets you make and receive clear calls in what would have been a dead zone. This amplifier is compatible with all major US carriers with the exception of Nextel. The kit comes with an interior low profile antenna that will rebroadcast the amplified cell signal throughout your car or truck.

Features

- Dual Band 800 and 1900 MHz
- 40 dB gain
- Easy to Install
- Operates with CDMA, GSM, GPRS, TDMA, AMPS and all other standard cell phone networks
- 2 Year manufacturer's warranty
- Full kit – no extra parts necessary

Technical Specifications

Frequency	Uplink 824-849/1850-1910MHz Downlink: 869-894/1930-1990 MHz
Input Impedance	50 ohm
Maximum Gain	40dB Cellular/ 45dB PCS
VSWR	≤2:1
Standard Supported	CDMA/WCDMA,GSM,EDGE,TDMA AMPS etc.
AC Power (Optional)	Input AC110V, 60Hz; Output: DC6V
DC Power	12V/6V
Maximum RF Output Power	3Watts EIRP
Noise Figure	5dB
RF connectors	FME Male connectors on both ends
Power Consumption	<10W

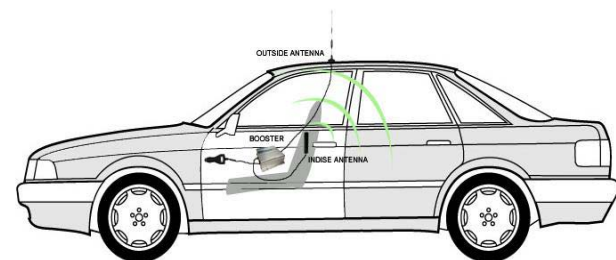


How it Works and Contents

This complete system can be setup quickly and moved between vehicles. It includes all the necessary components; amplifier, antennas, and power supplies.

Package includes:

1. CM2000 40 dB amplifier
2. 5dB magnetic antenna (for mounting on roof of vehicle)
3. Patch antenna (for interior of vehicle)
4. DC power adapter
5. AC power adapter
6. Velcro and screw mounting kit



Tel: 1-888-365-6283 Fax: 1-510-996-7250
48820 Kato Rd. Suite 300B. Fremont, CA 94538
www.Cellphone-Mate.com

Part Number: **CM2000-WL 45dB**

Dual Band Wireless Mobile Amplifier

FCC ID: RSN62UNDER CANADA IC: 7784A-D62UNDER

Overview



The SureCall™ CM2000-WL 45dB amplifier reduces dropped calls and improves the voice quality in your mobile home, truck or boat by boosting your cellular reach by up to 10x. The CM2000-WL 45dB is designed to boost multiple users with maximum power.

Features

- Dual band 800 & 1900 MHz –(PCS and Cellular Band)
- Up to 45 dB Gain
- AC power supply included
- Operates with CDMA, GSM, GPRS, TDMA, AMPS and all other standard cell phone networks
- Low operating temperature

Technical Specifications

Frequency	Uplink 824-849 MHz and 1850-1910 MHz Downlink: 869-894 MHz and 1930-1990 MHz
Input Impedance	50 ohm
Maximum Gain	Cellular 45dB / PCS 50dB
VSWR	≤2:1
Standard Supported	CDMA/WCDMA,GSM,EDGE,TDMA AMPS etc.
AC Power Transformer	Input AC110V, 60Hz; Output: DC6V
DC Power (optional)	12V/6V
Maximum RF Output Power	3Watts EIRP
Noise Figure	5dB
Cable	CM240 recommended
RF connectors	FME male connectors on both ends
Power Consumption	<10W



How it Works and Contents:

This amplifier is suitable for a mobile home, truck or boat.

Package includes:

1. CM2000-WL 45dB Amplifier
2. Right Angle Antenna
3. 6V AC Power Supply
4. User Manual
5. Velcro and screw mounting kit

Outdoor and indoor antenna and cables are required for installation (purchased separately).

Complete Kit is also available



Tel: 1-888-365-6283 Fax: 1-510-996-7250
48820 Kato Rd. Suite 300B. Fremont, CA 94538
www.Cellphone-Mate.com

Part Number: **CM2000-WL 45dB KIT**

Dual Band Wireless Mobile Amplifier KIT

FCC ID: RSN62UNDER CANADA IC: 7784A-D62UNDER

Overview



The Sure Call™ CM2000-WL 45dB amplifier kit reduces dropped calls and improves the voice quality in your mobile home, truck or boat by boosting your cellular reach by up to 10x. The CM2000-WL 45dB is designed to boost multiple users with maximum power. This kit includes everything you need including antennas, amplifier and cable.

Features

- Dual band 800 & 1900 MHz –(PCS and Cellular Band)
- 45 dB Gain
- AC power supply included
- Operates with CDMA, GSM, GPRS, TDMA, AMPS and all other standard cell phone networks
- Low operating temperature

Technical Specifications

Frequency	Uplink 824-849 MHz and 1850-1910 MHz Downlink: 869-894 MHz and 1930-1990 MHz
Input Impedance	50 ohm
Maximum Gain	Cellular 45dB / PCS 50dB
VSWR	≤2:1
Standard Supported	CDMA/WCDMA,GSM,EDGE,TDMA AMPS etc.
AC Power Transformer	Input AC110V, 60Hz; Output: DC6V
DC Power (optional)	12V/6V
Maximum RF Output Power	3Watts EIRP
Noise Figure	5dB
Antennas	Dual band antennas with max 3dBi directional gain
RF connectors	FME male connectors on both ends
Power Consumption	<10W



How it Works and Contents:

This amplifier kit is suitable for a mobile home, truck or boat where you need dual-band coverage for multiple users. (Covers up to 2000 square feet.) The magnetic antenna is placed outside in the area of best signal. It collects the signal and then sends it through the cable to the amplifier. The amplifier boosts the signal and then sends the boosted signal through a cable to the patch internal antenna that redistributes the signal into the vehicle. This provides an area of improved signal that can be used by multiple users simultaneously.

Package includes:

1. CM2000-WL 45dB Amplifier
2. Right Angle Antenna
3. DC Power Adaptor
4. AC Power
5. CM288 Outside Antenna
6. CM004-40-FN CM240 Cable



Tel: 1-888-365-6283 Fax: 1-510-996-7250
48820 Kato Rd. Suite 300B. Fremont, CA 94538
www.Cellphone-Mate.com

Part Number: **CM2000-WL 55dB**

Dual Band Wireless In-Building SOHO Amplifier

FCC ID: RSN62UNDER CANADA IC: 7784A-D62UNDER

Overview



The SureCall™ CM2000-WL 55dB amplifier reduces dropped calls and improves the voice quality in your home or office by boosting your cellular reach by up to 10x. The amplifier is suitable for a large residence or small office/home office. It's cost-effective and requires no technical experience with easy plug-and-play style installation.

Features

- Dual band 800 & 1900 MHz – (PCS and Cellular Band)
- 55 dB Gain
- Oscillation warning light
- AC power supply included
- Operates with CDMA, GSM, GPRS, TDMA, AMPS and all other standard cell phone networks
- Low operating temperature

Technical Specifications

Frequency	Uplink 824-849 MHz and 1850-1910 MHz Downlink: 869-894 MHz and 1930-1990 MHz
Input Impedance	50 ohm
Maximum Gain	55dB Cellular 60dB PCS
VSWR	≤2:1
Standard Supported	CDMA/WCDMA, GSM, EDGE, TDMA, AMPS etc.
AC Power Transformer	Input AC110V, 60Hz; Output: DC6V
DC Power (optional)	12V/6V
Maximum RF Output Power	3 Watts EIRP
Noise Figure	5dB
Cable	LMR400 or CM400 recommended
RF connectors	FME Male connectors on both ends
Power Consumption	<10W



How it Works and Contents:

This amplifier is suitable for a large residence or small office where you need dual-band coverage. (Covers up to 2000 square feet.)

Package includes:

1. CM2000-WL 55dB Amplifier
2. 9V AC Power Supply
3. User Manual
4. Velcro and screw mounting kit

Outdoor and indoor antenna and 2 cables are required for installation (purchased separately).

CM2000-WL-55dB Complete Kit is also available



Tel: 1-888-365-6283 Fax: 1-510-996-7250
48820 Kato Rd. Suite 300B. Fremont, CA 94538
www.Cellphone-Mate.com

Part Number: CM2000-WL 55dB-KIT

Dual Band Wireless In-Building SOHO Amplifier KIT

FCC ID: RSN62UNDER

CANADA IC: 7784A-D62UNDER

Overview



The SureCall™ CM2000-WL 55dB amplifier kit reduces dropped calls and improves the voice quality in your home or small office by boosting your cellular reach by up to 10x. The amplifier is suitable for a large residence or small office/home office. It's cost-effective and requires no technical experience with easy plug-and-play style installation. This kit includes everything you need including antennas, amplifier and cable.

Features

- Dual band 800 & 1900 MHz –(PCS and Cellular Band)
- 55 dB Gain
- Oscillation warning light
- AC power supply included
- Operates with CDMA, GSM, GPRS, TDMA, AMPS and all other standard cell phone networks
- Low operating temperature

Technical Specifications

Frequency	Uplink 824-849 MHz and 1850-1910 MHz Downlink: 869-894 MHz and 1930-1990 MHz
Input Impedance	50 ohm
Maximum Gain	55dB Cellular 60dB PCS
VSWR	≤2:1
Standard Supported	CDMA/WCDMA,GSM,EDGE,TDMA AMPS etc.
AC Power Transformer	Input AC110V, 60Hz; Output: DC6V
DC Power (optional)	12V/6V
Maximum RF Output Power	3Watts EIRP
Noise Figure	5dB
Cable	LMR400 or CM400 recommended
RF connectors	FME Male connectors on both ends
Power Consumption	<10W



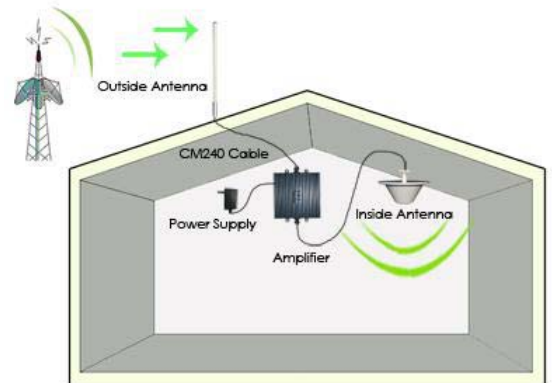
How it Works and Contents:

This amplifier kit is suitable for a large residence or small office where you need dual-band coverage. (Covers up to 2000 square feet.)

The CM100-S outdoor antenna is placed outside in the area of best signal. It collects the signal and then sends it through the cable to the amplifier. The amplifier boosts the signal and then sends the boosted signal through a cable to the CM222 indoor antenna that redistributes the signal into the building. This provides an area of improved signal that can be used by multiple users simultaneously.

Package includes:

1. CM2000-WL 55dB Amplifier Stand Alone Package (with power supply)
2. CM100-S Outdoor Antenna
3. CM222 Indoor Antenna
4. CM004-40-FN 40ft CM400 coax cable
5. CM004-20-FN 20ft CM400 coax cable



Tel: 1-888-365-6283 Fax: 1-510-996-7250
48820 Kato Rd. Suite 300B. Fremont, CA 94538
www.Cellphone-Mate.com

Part Number: **CM2000-WL 62dB**

Dual Band Wireless In-Building SOHO Amplifier

FCC ID: RSN62UNDER CANADA IC: 7784A-D62UNDER

Overview



The SureCall™ CM2000-WL 62dB amplifier reduces dropped calls and improves the voice quality in your home or office by boosting your cellular reach by up to 10x. The amplifier is suitable for a large residence or small office/home office. It's cost-effective and requires no technical experience with easy plug-and-play style installation.

Features

- Dual band 800 & 1900 MHz –(PCS and Cellular Band)
- 62 dB Gain
- Oscillation warning light
- AC power supply included
- Operates with CDMA, GSM, GPRS, TDMA, AMPS and all other standard cell phone networks
- Low operating temperature

Technical Specifications

Frequency	Uplink 824-849 MHz and 1850-1910 MHz Downlink: 869-894 MHz and 1930-1990 MHz
Input Impedance	50 ohm
Maximum Gain	62dB Cellular 62dB PCS
VSWR	≤2:1
Standard Supported	CDMA/WCDMA,GSM,EDGE,TDMA AMPS etc.
AC Power Transformer	Input AC110V, 60Hz; Output: DC6V
DC Power (optional)	12V/6V
Maximum RF Output Power	3Watts EIRP
Noise Figure	5dB
Cable	LMR400 or CM400 recommended
RF connectors	N Female connectors on both ends
Power Consumption	<10W



How it Works and Contents:

This amplifier is suitable for a large residence, office or warehouse where you need dual-band coverage. (Between 2000 and 6000 square feet).

Package includes:

1. CM200-WL 62dB Amplifier
2. 9V AC Power Supply
3. User Manual
4. Velcro and screw mounting kit

Outdoor and indoor antenna and 2 cables are required for installation (purchased separately).

CM2000-WL 62dB Complete Kit is also available



Tel: 1-888-365-6283 Fax: 1-510-996-7250
48820 Kato Rd. Suite 300B. Fremont, CA 94538
www.Cellphone-Mate.com

Part Number: CM2000-WL 62dB KIT

Dual Band Wireless In-Building SOHO Amplifier KIT

FCC ID: RSN62UNDER CANADA IC: 7784A-D62UNDER

Overview



The SureCall™ CM2000-WL 62dB amplifier reduces dropped calls and improves the voice quality in your home or office by boosting your cellular reach by up to 10x. The amplifier is suitable for a large residence or small office/home office. It's cost-effective and requires no technical experience with easy plug-and-play style installation.

Features

- Dual band 800 & 1900 MHz –(PCS and Cellular Band)
- 62 dB Gain
- Oscillation warning light
- AC power supply included
- Operates with CDMA, GSM, GPRS, TDMA, AMPS and all other standard cell phone networks
- Low operating temperature

Technical Specifications

Frequency	Uplink 824-849 MHz and 1850-1910 MHz Downlink: 869-894 MHz and 1930-1990 MHz
Input Impedance	50 ohm
Maximum Gain	62dB Cellular 62dB PCS
VSWR	≤2.1
Standard Supported	CDMA/WCDMA,GSM,EDGE,TDMA AMPS etc.
AC Power Transformer	Input AC110V, 60Hz; Output: DC6V
DC Power (optional)	12V/6V
Maximum RF Output Power	3Watts EIRP
Noise Figure	5dB
Cable	LMR400 or CM400 recommended
RF connectors	N Female connectors on both ends
Power Consumption	<10W

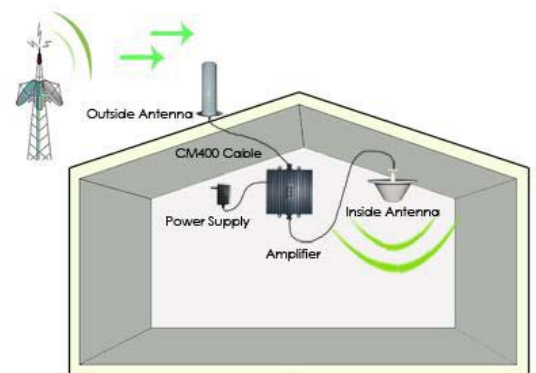


How it Works and Contents:

The CM288 outdoor antenna is placed outside in the area of best signal, collects the signal and then sends it through the cable to the amplifier. The amplifier boosts the signal and then sends the boosted signal through a cable to the CM222 internal antenna that redistributes the signal into the building. This provides an area of improved signal that can be used by multiple users simultaneously.

Package includes:

1. CM2000 62dB Stand Alone Package (with power supply)
2. CM288 Outdoor Antenna
3. CM222 Indoor Antenna
4. CM001-30 30ft CM400 coax cable
5. CM001-75 75ft CM400 coax cable



Tel: 1-888-365-6283 Fax: 1-510-996-7250
48820 Kato Rd. Suite 300B. Fremont, CA 94538
www.Cellphone-Mate.com

Part Number: **CM2020 68dB**

Dual Band Wireless In-Building Amplifier

FCC ID: RSN75UNDER CANADA IC: 7784A-D75UNDER

Overview



The CM2020 68dB is the most powerful dual-band amplifier on the market today and extends cellular services in poor coverage zones where the signal is weak due to geographical area, building materials or structural design. This full-featured amplifier includes adjustable gain control for maximum flexibility to meet your location and building needs. Great for low signal and/or large coverage areas. Covers up to 60,000

Features

- Easily scalable, most powerful amplifier on the market
- Reconfigurable, dual band, fits any size
- 68dB gain manually adjustable at 1 dB increments
- Features Automatic Shutdown to prevent overload
- Dual Band 800 and 1900 MHz
- Operates with CDMA, GSM, GPRS, TDMA, AMPS and all other standard cell phone networks
- Supports multiple users
- Uplink/Downlink Oscillation detection (individual LEDs)

Technical Specifications

Frequency	Uplink 824-849/1850-1910MHz Downlink: 869-894/1930-1990 MHz
Input Impedance	50 ohm
Maximum Gain	68dB Cellular 68dB PCS
VSWR	≤2:1
Standard Supported	CDMA/WCDMA,GSM,EDGE,TDMA AMPS etc.
AC Power Transformer	Input AC110V, 60Hz; Output: DC9V
DC Power (optional)	12V/6V
Maximum RF Output Power	3Watts EIRP
Noise Figure	5dB
Cable	LMR400 or CM400 recommended
RF connectors	N Female connectors on both ends
Power Consumption	<10W
Dimensions	10 ½ x 7 ½ x 2(Amplifier); 14 x 11 ½ x 3 ¼(With box)
Weight (with box)	9Lb



How it Works and Contents:

This amplifier is the perfect enterprise solution for a large office or warehouse. The 68 dB gain of CM2020 68dB make its coverage the largest in the industry.

Package includes:

1. CM2020 68dB Amplifier
2. 9V AC Power Supply
3. User Manual
4. Velcro and screw mounting kit

Outdoor and indoor antenna and 2 cables are required for installation (purchased separately).

Complete Kit is also available



Tel: 1-888-365-6283 Fax: 1-510-996-7250
48820 Kato Rd. Suite 300B. Fremont, CA 94538
www.Cellphone-Mate.com

Part Number: CM2020 68dB KIT

Dual Band Wireless In-Building Amplifier KIT

FCC ID: RSN75UNDER

CANADA IC: 7784A-D75UNDER

Overview



The CM2020 68dB is the most powerful dual-band amplifier in its price range on the market today. It extends cellular services in poor coverage zones where the signal is weak due to geographical area, building materials or structural design. This full-featured amplifier includes adjustable gain control for maximum flexibility to meet your location and building needs. Great for low signal and/or large coverage areas. Covers up to 60,000 square feet (with good signal).

Features

- Easily scalable, most powerful amplifier on the market
- Reconfigurable, dual band, fits any size
- 68dB gain manually adjustable at 1 dB increments
- Features Automatic Shutdown to prevent overload
- Dual Band 800 and 1900 MHz
- Operates with CDMA, GSM, GPRS, TDMA, AMPS and all other standard cell phone networks
- Supports multiple users
- Uplink/Downlink Oscillation detection (individual LEDs)

Technical Specifications

Frequency	Uplink 824-849/1850-1910MHz Downlink: 869-894/1930-1990 MHz
Input Impedance	50 ohm
Maximum Gain	68dB Cellular/ 68dB PCS
VSWR	≤2:1
Standard Supported	CDMA/WCDMA,GSM,EDGE,TDMA AMPS etc.
AC Power Transformer	Input AC110V, 60Hz; Output: DC9V
DC Power (optional)	12V/6V
Maximum RF Output Power	3Watts EIRP
Noise Figure	5dB
Cable	CM400 recommended
RF connectors	N Female connectors on both ends
Power Consumption	<10W



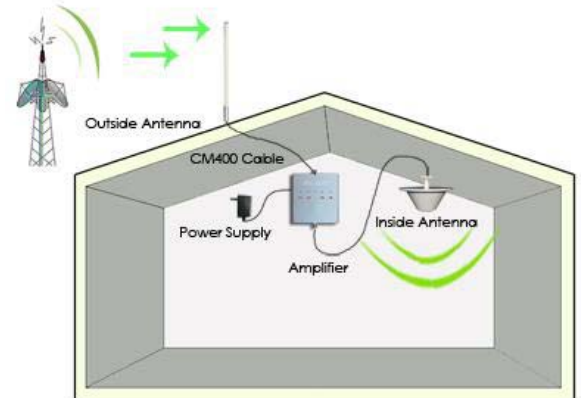
How it Works and Contents

The CM100-L outdoor antenna is placed outside in the area of best signal, collects it and then sends it through the cable to the amplifier. The amplifier boosts the signal and then sends the boosted signal through a cable to the CM222 indoor antenna that redistributes the signal into the building. This provides an area of improved signal that can be used by multiple users simultaneously.

Package includes:

1. CM2020 68dB Stand Alone Package (with power supply)
2. CM100-L Outdoor Antenna
3. CM222 Indoor Antenna
4. CM001-50 50ft CM400 coax cable
5. CM001-75 75ft CM400 coax cable

Note: you can add additional indoor antennas, splitters, connectors and cable as required (picture below shows multiple indoor antennas)



Tel: 1-888-365-6283 Fax: 1-510-996-7250
48820 Kato Rd. Suite 300B. Fremont, CA 94538
www.Cellphone-Mate.com

New!

SureCall™ In-Building AWS Band Amplifier

Part Number: CM2100 62dB

AWS Band Wireless In-Building Amplifier

Overview



The SureCall™ CM2100 62dB from Cellphone-Mate, Inc. is the first AWS (Advanced Wireless Service) band bi-directional amplifier introduced on the market dedicated to improving data and voice service on the AWS band. Designed for in-building use, this amplifier follows the success of our dual band and single band amplifiers on Cellular, PCS and IDEN bands.

Application & Features

- Improves data and voice service for all carriers on the AWS band including:
 - T-Mobile 3G network on the AWS band
 - MetroPCS 3G network on the AWS band
 - Wind Mobile and Mobilicity in Canada
 - Future 3G or 4G networks on the AWS band from other carriers
- Can be combined with CM2020 or CM2000 amplifiers to form tri-band system
- Operates with all 3G and 4G standards on AWS networks

Technical Specifications

Frequency	Uplink 1710-1755 MHz Downlink: 2110-2155 MHz
Input Impedance	50 ohm
Gain	62dB
VSWR	≤2:0
Standard Supported	All 3G and 4G standards on AWS band
AC Power Transformer	Input AC110V, 60Hz; Output: DC6V
DC Power (optional)	12V/6V
Maximum RF Output Power	2Watts EIRP with our antenna in the kit.
Noise Figure	5dB
Ripple	≤±3.5dB
Cable	LMR400 or CM400 recommended
RF connectors	N Female connectors on both ends
Power Consumption	<10W



How it Works and Contents:

This amplifier is the perfect solution for a residence, office or warehouse where your carrier is on the AWS band. (between 2000 and 6000 square feet). The SureCall™ CM2100 62dB is the first AWS bi-directional amplifier on the market today.

Package includes:

- CM2100 62dB AWS Amplifier
- 6V AC Power Supply
- User Manual
- Velcro and screw mounting kit

Outdoor and indoor antenna and 2 cables are required for installation (purchased separately).



Tel: 1-888-365-6283 Fax: 1-510-996-7250
48820 Kato Rd. Suite 300B. Fremont, CA 94538
www.Cellphone-Mate.com

Part Number: **CM800**

Available in 55dB / 60 dB / 65 dB / 70 dB

Single Band Universal In-Building Amplifier

FCC ID: RSNM800-55-60-65 CANADA IC: 7784A-800

Overview



The SureCall™ CM800 Single Band series of amplifiers are powerful cellphone amplifiers designed to offer a cost-effective solution in buildings where your carrier operates on only the 800 MHz frequency. This product is primarily designed to be used in a home or office. The Cellphone-Mate SureCall CM800 comes in 4 different sizes; 55dB, 60dB, 65dB and 70dB. Each size has 31dB of adjustability in the uplink and downlink.



Features

- Single Band 800 MHz –(PCS and Cellular Band)
- From 55 to 70 dB Gain
- Automatic Level Control to help prevent overload
- Uplink/Downlink oscillation detection (individual LEDs)
- Reconfigurable
- Operates with CDMA, WCDMA, GSM, EDGE, TDMA, AMPS etc.
- Sophisticated power control ensures output power is 3 watts maximum (max allowed by FCC)

Technical Specifications

Frequency	Uplink 824-849 MHz Downlink: 869-894 MHz
Input Impedance	50 ohm
Maximum Gain	55dB /60dB / 65 dB / 70 dB
VSWR	≤2:1
Standard Supported	CDMA/WCDMA,GSM,EDGE,TDMA AMPS etc.
AC Power Transformer	Input AC110V, 60Hz; Output: DC9V
DC Power (optional)	Needs special order
Maximum RF Output Power	3Watts EIRP
Noise Figure	5dB
Cable	LMR400 or CM400 recommended
RF connectors	N Female connectors
Power Consumption	<9W

How it Works and Contents:

This amplifier is suitable for a large residence, office or warehouse with single frequency carriers.

Package includes:

1. CM800 Amplifier
2. 9V AC Power Supply
3. User Manual
4. Velcro and screw mounting kit

Outdoor and indoor antenna and 2 cables are required for installation (purchased separately).



Tel: 1-888-365-6283 Fax: 1-510-996-7250
48820 Kato Rd. Suite 300B. Fremont, CA 94538
www.Cellphone-Mate.com

Part Number: CM1900

Available in 55dB / 60 dB / 65 dB

Single Band Universal In-Building Amplifier

FCC ID: RSNM1900-55-60-65 CANADA IC: 7784A-1900

Overview



The SureCall™ CM1900 Single Band series of amplifiers are powerful cellphone amplifiers designed to offer a cost-effective solution in buildings where your carrier operates on only the 1900 MHz frequency. This product is primarily designed to be used in a home or office. The Cellphone-Mate SureCall™ CM1900 comes in 3 different sizes: 55dB, 60dB, and 65dB. Each size has 31dB of adjustability in the uplink and downlink.

Features

- Single Band 1900 MHz –(PCS and Cellular Band)
- From 55 to 65 dB Gain
- Automatic Level Control to help prevent overload
- Uplink/Downlink oscillation detection (individual LEDs)
- Reconfigurable
- Operates with CDMA, WCDMA, GSM, EDGE, TDMA, AMPS etc.
- Sophisticated power control ensures output power is 3 watts maximum (max allowed by FCC)

Technical Specifications

Frequency	Uplink 1850-1910 MHz Downlink: 1930-1990 MHz
Input Impedance	50 ohm
Maximum Gain	55dB /60dB / 65 dB
VSWR	≤2:1
Standard Supported	CDMA/WCDMA,GSM,EDGE,TDMA AMPS etc.
AC Power Transformer	Input AC110V, 60Hz; Output: DC9V
DC Power (optional)	Needs special order
Maximum RF Output Power	3Watts EIRP
Noise Figure	7 dB
Cable	CM400 recommended
RF connectors	N Female connectors
Power Consumption	<9W



How it Works and Contents:

This amplifier is suitable for a large residence, office or warehouse with single frequency carriers. The coverage area of this amplifier varies depending upon the strength of the outside cell signal, the size of amplifier, and any metal and concrete obstacles within the building.

Package includes:

1. CM1900 Amplifier
2. 9V AC Power Supply
3. User Manual
4. Velcro and screw mounting kit

Outdoor and indoor antenna and 2 cables are required for installation (purchased separately).



Tel: 1-888-365-6283 Fax: 1-510-996-7250
48820 Kato Rd. Suite 300B. Fremont, CA 94538
www.Cellphone-Mate.com

Part Number: CM900

Available in 55dB / 60 dB / 65 dB

Single Band Universal In-Building Amplifier

FCC ID: RSNM900-55-60-65 CANADA IC: 7784A-900

Overview



The SureCall™ CM900 Single Band series of amplifiers supports European/Asian 900MHz (GSM) frequencies only. They do not support North American frequencies. These amplifiers are powerful cellphone amplifiers designed to offer a cost-effective solution in a home or office. The Cellphone-Mate SureCall™ CM900 comes in 3 different sizes; 55dB, 60dB and 65dB. Each size has 31dB of adjustability in the uplink and downlink.

Features

- Single Band 900 MHz – (PCS and Cellular Band)
- From 55 to 65 dB Gain
- Automatic Level Control to help prevent overload
- Uplink/Downlink oscillation detection (individual LEDs)
- Reconfigurable
- Operates with CDMA, WCDMA, GSM, EDGE, TDMA, AMPS etc.
- Sophisticated power control ensures output power is 3

Technical Specifications

Frequency	Uplink 890-915 MHz Downlink: 935-960 MHz
Input Impedance	50 ohm
Maximum Gain	55dB /60dB / 65 dB
VSWR	≤2:1
Standard Supported	CDMA/WCDMA,GSM,EDGE,TDMA AMPS etc.
AC Power Transformer	Input AC110V, 60Hz; Output: DC9V
DC Power (optional)	Needs special order
Maximum RF Output Power	3Watts EIRP
Noise Figure	5dB
Cable	CM400 recommended
RF connectors	N Female connectors
Power Consumption	<9W



How it Works and Contents:

This amplifier is suitable for a large residence, office or warehouse in Europe or Asia that are on the 900MHz frequency.

Package includes:

1. CM900 Amplifier
2. 9V AC Power Supply
3. User Manual
4. Velcro and screw mounting kit

Outdoor and indoor antenna and 2 cables are required for installation (purchased separately).



Tel: 1-888-365-6283 Fax: 1-510-996-7250
48820 Kato Rd. Suite 300B. Fremont, CA 94538
www.Cellphone-Mate.com

Part Number: CM800iDEN 65dB

Single Band Universal In-Building Amplifier

FCC ID: RSNM800iDEN CANADA IC: 7784A-800iDEN



Overview



The SureCall™ CM800iDEN 65dB Single Band amplifier is designed to offer a cost-effective solution in buildings where your carrier operates on 800iDEN network only (Nextel, Southern LINC, Mike). This product is primarily designed to be used in a home or office. It has 31dB of adjustability in the uplink and downlink and wireless operation with multi-user support.

Features

- Single Band 800 iDEN ONLY –(PCS and Cellular Band)
- 65 dB Gain
- Automatic Level Control to help prevent overload
- Uplink/Downlink oscillation detection (individual LEDs)
- Reconfigurable
- Operates with CDMA, WCDMA, GSM, EDGE, TDMA, AMPS etc.
- Sophisticated power control ensures output power is 3 watts maximum (max allowed by FCC)

Technical Specifications

Frequency	Uplink 806-821 MHz Downlink: 851-866 MHz
Input Impedance	50 ohm
Maximum Gain	65 dB
VSWR	≤2:1
Standard Supported	CDMA/WCDMA,GSM,EDGE,TDMA AMPS etc.
AC Power Transformer	Input AC110V, 60Hz; Output: DC9V
DC Power (optional)	Needs special order
Maximum RF Output Power	3Watts EIRP
Noise Figure	7dB
Cable	CM400 recommended
RF connectors	N Female connectors
Power Consumption	<9W

How it Works and Contents:

This amplifier is suitable for a large residence, office or warehouse with single frequency carriers on iDEN (including Nextel).

Package includes:

1. CM800iDEN Amplifier
2. 9V AC Power Supply
3. User Manual
4. Velcro and screw mounting kit

Outdoor and indoor antenna and 2 cables are required for installation (purchased separately).



Tel: 1-888-365-6283 Fax: 1-510-996-7250
48820 Kato Rd. Suite 300B. Fremont, CA 94538
www.Cellphone-Mate.com

Part Number: **CM110**

Dual Band Patch Antenna

Overview



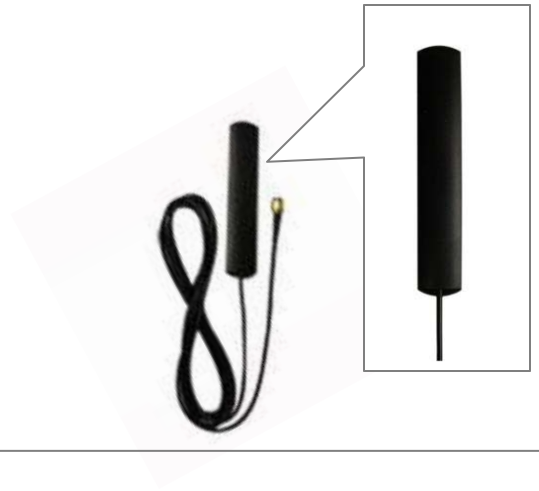
This convenient, lightweight antenna is designed for use with our CM2000 dual band mobile amplifier. The antenna offers 3 dB of gain and should be placed as close as possible to the cellphone.

Features

- Designed for mobile units – cars, trucks, RV's boats
- Directional passive antenna – needs to be pointed toward the nearest cell tower
- 3 dBi Gain.
- Dual Band (800 & 1900 MHz)
- Easy to install
- Convenient transportable antenna

Technical Specifications

Frequency	806-960/1710-1990
Input Impedance	50 ohm
Antenna Gain	3 dB
VSWR	≤2.0
Polarization Type	Vertical
Radiation	Directional
Connector type	FME Female
Height (inches)	5
Ground Plane	Built in ground plane
Mount	Directly to amplifier
Coaxial Cable	None



Installation

The CM110 is a directional antenna. Directional antennas need to be pointed toward the nearest cell tower for the best results.

Mounting Details:

For best results, the antenna should be placed as close as possible to the cellphone antenna or attached to the backside of the phone for a static position.



Part Number: **CM120**

Dual Band Rubber Right Angle Antenna

Overview



This rubber right angle antenna is designed for use with our mobile amplifiers and offers 3 dB of gain.



Features

- Designed for use with our mobile amplifiers
- Omni-directional antenna
- 3 dBi Gain
- Dual Band (800 & 1900 MHz)
- Easy to install

Technical Specifications

Frequency	800-940/1850-1990MHz
Input Impedance	50 ohm
Antenna Gain	3 dB
Bandwidth (MHz)	140/140
VSWR	≤2.0
Polarization Type	Vertical
Radiation	Omni-directional
Connector type	FME – Female or based on customer request
Operating Temperature	-22°F to +140°F
Material	Rubber
Height	7 1/8 th inches
Power Rating	10 Watts
Ground Plane	Built-in ground plane

Installation

The CM120 is an Omni-directional antenna. This indoor omni-directional radiates signal from all sides. For best results, the antenna should be mounted in an upright position.

Mounting Details:

The CM120 Dual Band Rubber Right Angle Antenna connects directly to the amplifier.



Part Number: **CM200**

Dual Band Magnetic Mount Antenna

Overview



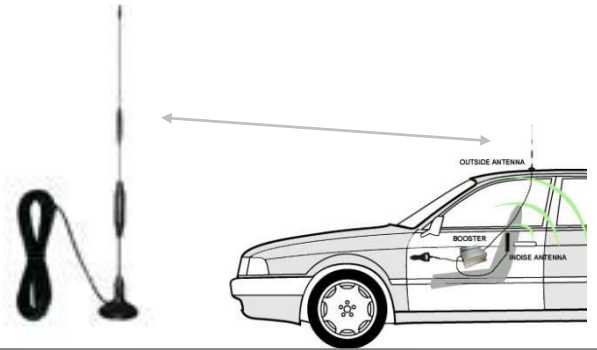
This 12 inch external magnetic mount cellphone antenna is made of stainless steel and is fully weather-proof. It's designed to be mounted on the roof of a car.

Features

- Designed for use with our mobile amplifiers.
- Omni-directional antenna –does not need to be pointed toward the tower
- 5 dBi Gain.
- Dual Band (800 & 1900 MHz)
- Easy to install
- Portable and magnetic mount – easily transferable.

Technical Specifications

Frequency	806-924/1850-1990MHz
Input Impedance	50 ohm
Antenna Gain	5 dB
Bandwidth	118/140
VSWR	≤2.0
Polarization Type	Vertical
Radiation	Omni-directional
Connector type	FME – Female or based on customer request
Operating Temperature	-22°F to +176°
Diameter at base	1.62 inches
Height	12.8 inches
Power Rating	10 Watts
Ground Plane	Metal ground plane required
Coaxial Cable Length	RG174 – 10 feet
Mount	Magnet
Material	Whip- Stainless Steel



Installation

The CM200 is an Omni-directional antenna. Omni-directional gather signal from all sides and does not need to be pointed toward the tower. For best results, the antenna should be mounted in an upright position.

Mounting Details:

The CM200 Magnetic Mount Antenna uses a rare earth magnet mount. This antenna is portable and improves the signal on any vehicle with a steel exterior. It works well on automobiles, semi-trucks, and RV's and can easily be moved from one vehicle to another



Tel: 1-888-365-6283 Fax: 1-510-996-7250
48820 Kato Rd. Suite 300B. Fremont, CA 94538
www.Cellphone-Mate.com

Part Number: **CM222**

Dual Band Dome Antenna

Overview



This dual band dome antenna is designed for indoor use. The design is unobtrusive with a low profile that blends easily with your internal environment. This ceiling mount antenna transmits and receives to cell phones with a 360 degree beamwidth.

Features

- Dual Band (800 & 1900 MHz)
- Designed for indoor use
- Omni-directional antenna broadcasts signal in all directions.
- 3dB Gain
- Should be mounted on ceiling.

Technical Specifications

Frequency	806-960/1700-2500
Input Impedance	50 ohm
Antenna Gain	3 dB
Beamwidth	360 Degrees
VSWR	≤1.5
Polarization Type	Vertical
Radiation	Omni-directional
Maximum Power	50 Watt
Connector type	N-Female
Height (inches)	3.5"
Diameter	7.25"
Weight	17 oz
Ground Plane	Built in ground plane
Mount	Mounts to ceiling
Color	White
Intermodulation	≤110 dBm



Installation

The CM222 is an Omni-directional antenna. Omni-directional antennas broadcast in all directions and should be mounted on the ceiling for best results.

Mounting Details:

The CM222 Dome Antenna is designed to mount on the ceiling and includes the mounting equipment to accommodate a ceiling mount or L-Bracket wall mount. Drill a hole of 35mm in the ceiling. Screw the fixing nut to fasten the antenna on the ceiling. The ceiling's thickness should be no more than 20mm.



New!

SureCall™ Inside FULL BAND Dome Antenna

Part Number: **CM222W**

Full Band Dome Antenna

Overview



This full band dome antenna is designed to be unobtrusive with a low profile that blends easily with your internal environment. The full band antenna is designed to cover 2G/3G/4G and WLAN systems for Cellular, PCS, AWS and LTE frequencies. This ceiling mount antenna transmits and receives to cell phones with a 360 degree beamwidth.

Features

- Full Band (698 – 2700 MHz) Broadband
- 2G/3G/4G and WLAN systems
- Omni-directional antenna broadcasts signal in all directions.
- 3dB Gain
- Should be mounted on ceiling.
- Easy to install

Technical Specifications

Frequency	698-960/1700-2700
Input Impedance	50 ohm
Antenna Gain	2/5dBi
Beamwidth	360 Degrees
VSWR	≤2.0
Polarization Type	Vertical
Radiation	Omni-directional
Maximum Power	50 Watt
Connector type	N-Female
Height (inches)	3.5"
Diameter	7.25"
Weight	10.5 oz
Ground Plane	Built in ground plane
Mount	Mounts to ceiling
Color	White



Installation

The CM222W is an Omni-directional antenna. Omni-directional antennas broadcast in all directions and should be mounted on the ceiling for best results.

Mounting Details:

The CM222W Dome Antenna is designed to mount on the ceiling and includes the mounting equipment to accommodate a ceiling mount or L-Bracket wall mount. Drill a hole of 35mm in the ceiling. Screw the fixing nut to fasten the antenna on the ceiling. The ceiling's thickness should be no more than 20mm.



Tel: 1-888-365-6283 Fax: 1-510-996-7250
48820 Kato Rd. Suite 300B. Fremont, CA 94538
www.Cellphone-Mate.com

Part Number: **CM223**

Dual Band Dome Antenna

Overview



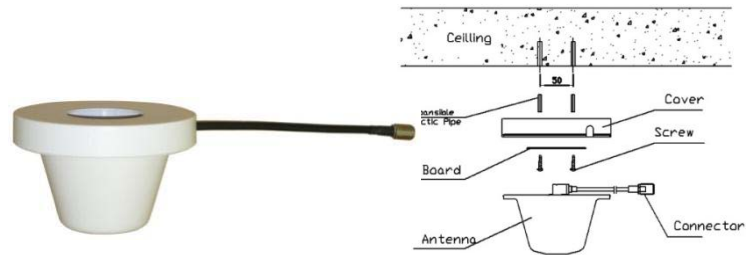
This dual band dome antenna is designed for indoor use. The design is unobtrusive with a low profile that blends easily with your internal environment. This ceiling mount antenna transmits and receives to cell phones with a 360 degree beamwidth.

Features

- Dual Band (800 & 1900 MHz)
- Designed for indoor use
- Omni-directional antenna broadcasts signal in all directions.
- 5.5 dB Gain
- Should be mounted on ceiling
- Easy to install

Technical Specifications

Frequency	806-960/1710-2500
Input Impedance	50 ohm
Antenna Gain	5.5 dB
Beamwidth	360 Degrees E:70 H:130 E:80 H:90
VSWR	≤1.5
Polarization Type	Vertical
Radiation	Omni-directional
Maximum Power	50 Watt
Connector type	N-Female with pigtail
Height (inches)	4.3"
Diameter	6.2"
Weight	21 oz
Ground Plane	Built in ground plane
Mount	Mounts to ceiling
Color	White
Intermodulation	≤110 dBm



Installation

The CM223 is an Omni-directional antenna. Omni-directional antennas broadcast in all directions and should be mounted on the ceiling for best results.

Mounting Details:

The CM223 Dome Antenna is designed to mount on the ceiling and includes the mounting equipment to accommodate a ceiling mount or L-Bracket wall mount.



Tel: 1-888-365-6283 Fax: 1-510-996-7250
 48820 Kato Rd. Suite 300B. Fremont, CA 94538
www.Cellphone-Mate.com

Part Number: **CM224**

Dual Band Light Fixture Design Dome Antenna

Overview



This dual band dome antenna is designed for indoor use. The Light Fixture design is unobtrusive with a low profile that blends easily with your internal environment. This ceiling mount antenna transmits and receives to cell phones with a 360 degree beamwidth.

Features

- Dual Band (800 & 1900 MHz)
- Designed for indoor use
- Omni-directional antenna broadcasts signal in all directions.
- 2 dB Gain
- Should be mounted on ceiling
- Easy to install

Technical Specifications

Frequency	806-960/1700-2500
Input Impedance	50 ohm
Antenna Gain	2 dB / 4.7
Beamwidth	360 Degrees or 85/40
VSWR	≤1.4:1
Polarization Type	Vertical
Radiation	Omni-directional
Maximum Power	50 Watt
Connector type	N-Female with pigtail
Height (inches)	3.5"
Diameter	7.25"
Weight	10.5 oz
Ground Plane	Built in ground plane
Mount	Mounts to ceiling
Color	White
Intermodulation	≤135dBc
Radome Material	ABS



Installation

The CM224 is an Omni-directional antenna. Omni-directional antennas broadcast in all directions and should be mounted on the ceiling for best results.

Mounting Details:

The CM224 Dome Antenna is designed to mount on the ceiling and includes the mounting equipment to accommodate a ceiling mount or L-Bracket wall mount.



Tel: 1-888-365-6283 Fax: 1-510-996-7250
48820 Kato Rd. Suite 300B. Fremont, CA 94538
www.Cellphone-Mate.com

Part Number: **CM248**

Dual Band Panel Antenna

Overview



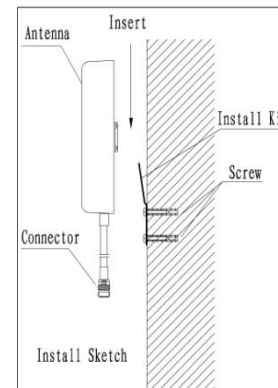
This dual band panel antenna is a compact directional antenna designed for indoor use. It's a high gain antenna suited for places where the signal needs to be broadcast over a wide area. This wall mount antenna transmits and receives to cell phones with a 45 degree beamwidth.

Features

- Dual Band (800 & 1900 MHz)
- Designed for indoor use
- Directional antenna broadcasts signal in one direction and typically carries a 45 degree beam width
- 7-10 dB Gain
- Should be mounted on the wall or in a corner
- Easy to install

Technical Specifications

Frequency	800-960/1710-2500
Input Impedance	50 ohm
Antenna Gain	7 dB / 10 dB
Beamwidth	E:50 H:70/ E:45 H:60
VSWR	≤1.5
Polarization Type	Vertical
Radiation	Directional
Maximum Power	50 Watt
Connector type	N-Female or customized
Height (inches)	8"
Diameter	7.25"
Weight	1.3 pounds
Ground Plane	Built in ground plane
Mount	Mounts to wall
Color	White
Material	ABS Plastic



Installation

The CM248 Panel Antenna is a directional antenna. Directional antennas radiate signal in one direction and typically carry a 45 degree beam width. This directional panel antenna should be mounted on the wall or in a corner to provide the best coverage.

Mounting Details:

The CM248 Panel Antenna includes the mounting equipment to mount on a wall mount or L-Bracket wall mount.



Tel: 1-888-365-6283 Fax: 1-510-996-7250
48820 Kato Rd. Suite 300B. Fremont, CA 94538
www.Cellphone-Mate.com

New!

SureCall™ FULL BAND Inside Panel Antenna

Part Number: **CM248W**

Full Band Panel Antenna

Overview



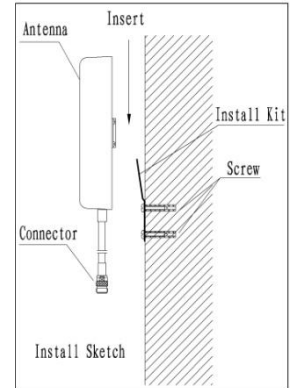
This full band panel antenna is a compact directional antenna designed to cover 2G/3G/4G and WLAN systems for Cellular, PCS, AWS and LTE frequencies. It's a high gain indoor antenna suited for places where the signal needs to be broadcast over a wide area. This wall mount antenna transmits and receives to cell phones with a 45 degree beamwidth.

Features

- Full Band (698 - 2700 MHz) Broadband
- 2G/3G/4G and WLAN systems
- Designed for indoor use
- Directional antenna broadcasts signal in one direction and typically carries a 45 degree beam width
- 7-10 dB Gain
- Easy to install

Technical Specifications

Frequency	698-960/1700-2700
Input Impedance	50 ohm
Antenna Gain	7 dB / 10 dB
Beamwidth	E:55 H:70/ E:45 H:60
VSWR	≤2.0/≤1.5
Polarization Type	Vertical
Radiation	Directional
Maximum Power	50 Watt
Connector type	N-Female with Pigtail or customized
Height (inches)	8.3"
Diameter	7.1"
Weight	1 pound
Ground Plane	Built in ground plane
Mount	Mounts to wall
Color	White
Material	ABS Plastic



Installation

The CM248W Panel Antenna is a directional antenna. Directional antennas radiate signal in one direction and typically carry a 45 degree beam width. This directional panel antenna should be mounted on the wall or in a corner to provide the best coverage.

Mounting Details:

The CM248W Panel Antenna includes the mounting equipment to mount on a wall mount or L-Bracket wall mount.



Tel: 1-888-365-6283 Fax: 1-510-996-7250
48820 Kato Rd. Suite 300B. Fremont, CA 94538
www.Cellphone-Mate.com

Part Number: **CM130-M**

Dual Band Mirror Mount Trucker Antenna

Overview



This Omni-directional works great on semi-trucks, RVs and boats. It's compatible with all Cellular, PCS and iDEN providers. The design allows you to mount the antenna to your mirror for maximum efficiency.

Features

- Designed for outdoor use
- Omni-directional antenna –does not need to be pointed toward the tower
- 3 dB Gain.
- Dual Band (800 & 1900 MHz and iDEN)
- Easy to install

Technical Specifications

Frequency	Cellular/PCS/iDEN
Input Impedance	50 ohm
Antenna Gain	3 dB
VSWR	≤1.8
Polarization Type	Vertical
Radiation	Omni-directional
Connector type	FEM Female
Antenna Cable	RG58
Cable OD	5.0mm
Color	Black
Ground Plane	Built-in ground plan



Installation

The CM100-S is an Omni-directional antenna. Omni-directional gather signal from all sides and does not need to be pointed toward the tower. For best results, the antenna should be mounted in an upright position on the mirror.

Mounting Details:

Complete mounting kit included. The entire assembly can be mounted to the mirror. The antenna should be mounted with the chrome tip pointing toward the sky (perpendicular to the ground). Built in ground plane allows for use on any surface – metal, fiberglass, wood, etc. Easy to install.



Tel: 1-888-365-6283 Fax: 1-510-996-7250
48820 Kato Rd. Suite 300B. Fremont, CA 94538
www.Cellphone-Mate.com

Part Number: **CM288**

Dual Band Fiberglass Antenna

Overview



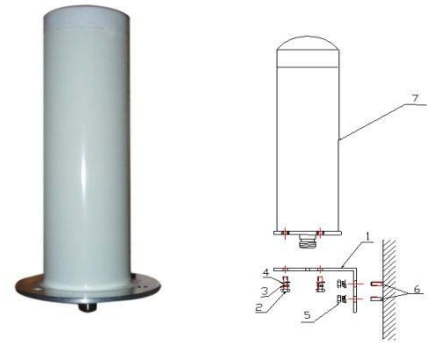
This wall or roof mount antenna is ideal for downtown urban settings, RV's or marine installations. It's built with a strong fiberglass casing and is commonly used with our dual band in-building amplifiers.

Features

- Designed for outdoor use only
- Omni-directional antenna – does not need to be pointed toward a cell tower
- 3-4 dB Gain.
- Dual Band (800 & 1900 MHz)
- Easy to install

Technical Specifications

Frequency	806-960/1710-2500MHz
Input Impedance	50 ohm
Antenna Gain	3dB at 806-960 MHz 4 dB at 1710-2511 MHz
VSWR	≤1.5
Power Rating (W)	10
Polarization Type	Vertical or horizontal
Radiation	Omni-directional
Maximum Power	100 Watt
Connector type	N-Female or based on customer request
Dimension	9.5" x 3.9"
Operating Temperature	-22°F Degrees to +176° Degrees
Mount	Mounts to wall or roof
Beamwidth	E:72 H:92/ E:50 H:80
Groundplane	Built-in ground plane
Material	Fiberglass



Installation

The CM288 is an Omni-directional antenna. Omni-directional gather signal from all sides and does not need to be pointed toward the tower. For best results, the antenna should be mounted in an upright position.

Mounting Details:

The CM288 Dual Band Fiberglass antenna includes mounting equipment to mount to either a flat horizontal surface or a wall. It should be mounted in an upright position.



Tel: 1-888-365-6283 Fax: 1-510-996-7250
48820 Kato Rd. Suite 300B. Fremont, CA 94538
www.Cellphone-Mate.com

New!

SureCall™ FULL BAND Outdoor Fiberglass Antenna

Part Number: **CM288W**

Full Band Outdoor Fiberglass Antenna

Overview



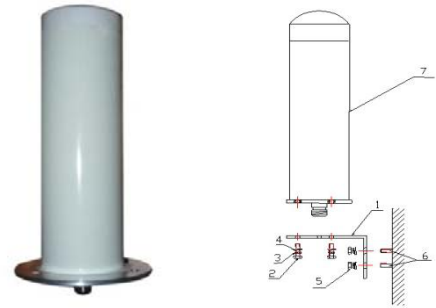
This wall or roof mount antenna is ideal for downtown urban settings, RV's or marine installations. It's built with a strong fiberglass casing and is designed to cover 2G/3G/4G and WLAN systems for Cellular, PCS, AWS and LTE frequencies.

Features

- Full Band (698 – 2700 MHz) Broadband
- 2G/3G/4G and WLAN systems
- Designed for outdoor use only
- Omni-directional antenna 3-4 dB Gain.
- Dual Band (800 & 1900 MHz)
- Easy to install

Technical Specifications

Frequency	698-960/1700-2700MHz
Input Impedance	50 ohm
Antenna Gain	2-3dB at 698-960 MHz 3-4dB at 1700-2700 MHz
VSWR	≤1.8
Power Rating (W)	10
Polarization Type	Vertical
Radiation	Omni-directional
Maximum Power	100 Watt
Connector type	N-Female or based on customer request
Dimension	9.5" x 3.9"
Color	White
Operating Temperature	-22° F Degrees to +176° Degrees
Mount	Mounts on roof or wall
Beamwidth	E:72 H:92/ E:50 H:80
Groundplane	Built-in ground plane
Material	Fiberglass



Installation

The CM288W is an Omni-directional antenna. Omni-directional gather signal from all sides and does not need to be pointed toward the tower. For best results, the antenna should be mounted in an upright position.

Mounting Details:

The CM288W Full Band Fiberglass antenna includes mounting equipment to mount to either a flat horizontal surface or a wall. It should be mounted in an upright position.



Tel: 1-888-365-6283 Fax: 1-510-996-7250
48820 Kato Rd. Suite 300B. Fremont, CA 94538
www.Cellphone-Mate.com

Part Number: **CM100-S**

Dual Band Fiber Glass Antenna

Overview



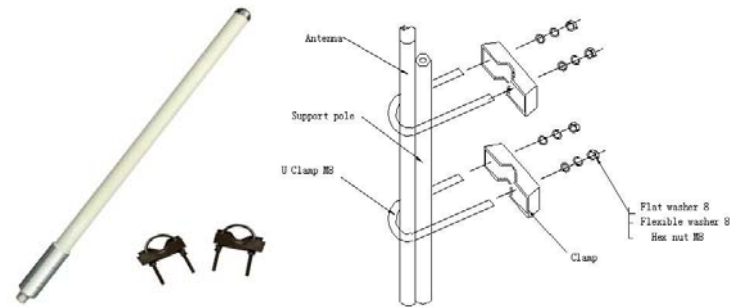
This short Omni-directional antenna is the best performing dual band antenna on the market. It's commonly used with our dual band in-building antennas.

Features

- Designed for outdoor use
- Omni-directional antenna –does not need to be pointed toward the tower
- 5 dB Gain.
- Dual Band (800 & 1900 MHz)
- Easy to install

Technical Specifications

Frequency	806-924/1850-1990MHz
Input Impedance	50 ohm
Antenna Gain	5 dB at 806-924 MHz 5 dB at 1850-1990MHz
VSWR	≤2.0
Polarization Type	Vertical
Radiation	Omni-directional
Connector type	N Female or based on customer request
Power Rating (W)	10
Bandwidth	118/140
Height	16.18 inches
Diameter of Base	0.75 inch
Operating temperature	-22°F to +140°F



Installation

The CM100-S is an Omni-directional antenna. Omni-directional gather signal from all sides and does not need to be pointed toward the tower. For best results, the antenna should be mounted in an upright position.

Mounting Details:

Mount the entire assembly to a 1 to 2 inch diameter pole (not included). The antenna should be mounted with the chrome tip pointing toward the sky (perpendicular to the ground). For best results, the white fiberglass portion of the antenna should be mounted above the roofline and unobstructed in all directions. Easy to install.



Tel: 1-888-365-6283 Fax: 1-510-996-7250
48820 Kato Rd. Suite 300B. Fremont, CA 94538
www.Cellphone-Mate.com

Part Number: **CM100-L**

Dual Band Fiberglass Antenna

Overview



This long omni-directional antenna is the best performing dual band antenna on the market. It's commonly used with our dual band in-building amplifiers.

Features

- Designed for outdoor use
- Omni-directional antenna – does not need to be pointed toward the tower
- 9 dBi Gain.
- Dual Band (800 & 1900 MHz)
- Easy to install

Technical Specifications

Frequency	806-924/1850-1990MHz
Input Impedance	50 ohm
Antenna Gain	9 dB at 806-924 MHz 9 dB at 1850-1990 MHz
VSWR	≤2.0
Power Rating (W)	10
Polarization Type	Vertical
Radiation	Omni-directional
Maximum Power	50 Watt
Connector type	N-Female or based on customer request
Height (inches)	30"
Diameter	.75"
Operating Temperature	-30 Degrees +80 Degrees
Mount	Mount to roof



Installation

The CM100-L is an Omni-directional antenna. Omni-directional gathers signal from all sides and does not need to be pointed toward the tower. For best results, the antenna should be mounted in an upright position.

Mounting Details:

Mount the entire assembly to a 1 to 2 inch diameter pole (not included). The antenna should be mounted with the chrome tip pointing toward the sky (perpendicular to the ground). For best results, the white fiberglass portion of the antenna should be mounted above the roofline and unobstructed in all directions.



Tel: 1-888-365-6283 Fax: 1-510-996-7250
48820 Kato Rd. Suite 300B. Fremont, CA 94538
www.Cellphone-Mate.com

Part Number: **CM230D**

Dual Band Yagi Antenna

Overview



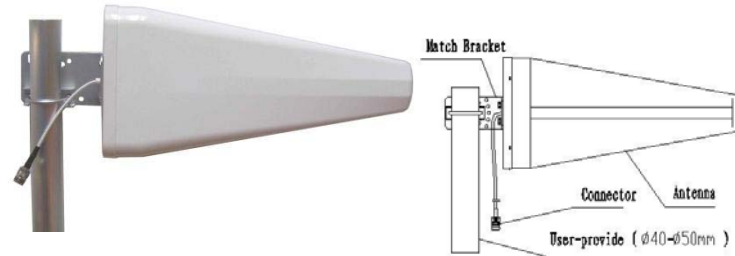
This directional Yagi antenna is one of the best-performing dual band antennas on the market. It's commonly used with our dual band in-building amplifiers.

Features

- Designed for outdoor use
- Directional antenna – needs to be pointed toward the tower
- 14 dBi Gain.
- Dual Band (800 & 1900 MHz)
- Easy to install

Technical Specifications

Frequency	806-960/1710-2500MHz
Input Impedance	50 ohm
Antenna Gain	10 dB at 806-960 MHz 11 dB at 1710-2500 MHz
VSWR	≤1.5
Polarization Type	Vertical
Radiation	Directional
Connector type	N Female or based on customized
Max Power	50 Watts
Beamwidth	E50 H65/E40 H50
Dimensions	17.3" x 8" x 1.45"
Mount	Mounts on pipe with up to 2 inch diameter
Operating temperature	-22°F to +176°
Color	White



Installation

The CM230-D is a directional antenna. Directional antennas need to be pointed towards the nearest cell tower for the best results. Any metallic rods must be at least three feet from the antenna.

Mounting Details:

Mount the entire assembly to a 1 to 2 inch diameter pole (not included). For best results, the white fiberglass portion of the antenna should be mounted above the roof line and unobstructed in the direction of the tower.



Tel: 1-888-365-6283 Fax: 1-510-996-7250
48820 Kato Rd. Suite 300B. Fremont, CA 94538
www.Cellphone-Mate.com

New!

SureCall™ Outdoor Full Band Yagi Antenna

Part Number: **CM230W**

Full Band Yagi Antenna

Overview



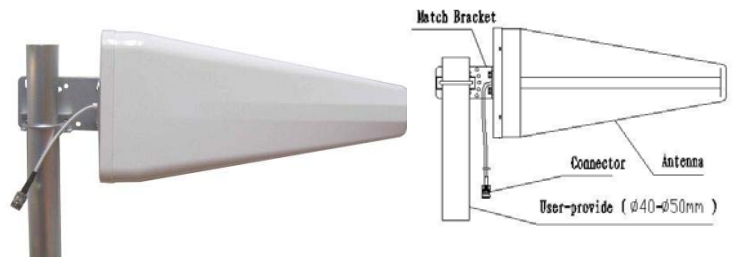
This full band panel directional Yagi antenna is designed to cover 2G/3G/4G and WLAN systems for Cellular, PCS, AWS and LTE frequencies. It's a high gain outdoor antenna that should be pointed toward the nearest cell tower.

Features

- Full Band (698 - 2700 MHz) Broadband
- 2G/3G/4G and WLAN systems
- Designed for outdoor use
- Directional antenna – needs to be pointed toward the tower
- 10 dBi Gain.
- Easy to install
- Includes mounting equipment

Technical Specifications

Model	CM230W		
Freq. Range-MHz	698-800	800-960	1700-2700
Beamwidth-°	E H	65 85	60 85 50 60
F/B Ratio-dB	≥15	≥20	≥20
Gain-dBi	7.5	8.5	10
VSWR	≤2		
Impedance-Ω	50		
Polarization	Vertical		
Maximum Power-W	100		
Connector	N type or customized		
Dimensions-Inch	17.3X8X1.45		
Weight-LB	2.3		
Mast Diameter-Inch	Φ16-φ20		



Installation

The CM230W is a directional antenna. Directional antennas need to be pointed towards the nearest cell tower for the best results. Any metallic rods must be at least three feet from the antenna.

Mounting Details:

Mount the entire assembly to a 1 to 2 inch diameter pole (not included). For best results, the white fiberglass portion of the antenna should be mounted above the roof line and unobstructed in the direction of the tower.



Tel: 1-888-365-6283 Fax: 1-510-996-7250
48820 Kato Rd. Suite 300B. Fremont, CA 94538
www.Cellphone-Mate.com

Part Number: **CM230-800**

800MHz Yagi Antenna (14dB)

Overview



This low profile antenna is an external directional Yagi antenna commonly used with our 800 MHz in-building amplifiers. It works with all networks operating at 800 MHz frequency including CDMA and GSM voice signals and also EVDO, HSDPA, UMTS and EDGE data transfer services.

Features

- Designed for outdoor use
- Directional antenna – needs to be pointed toward the tower
- 14 dBi Gain.
- Single Band 800
- Easy to install

Technical Specifications

Frequency	806-960MHz
Input Impedance	50 ohm
Antenna Gain	14 dB at 806-960 MHz
VSWR	≤1.5
Polarization Type	Vertical or horizontal
Radiation	Directional
Connector type	N Female or based on customized
Max Power	100 Watts
Beamwidth	E:72 H:5/E:76 H:5
Length	44.2 inches
Mount	Mounts on pole with .5" to 1.5" diameter
Groundplane	Built-in ground plane
Number of Elements	14
Operating temperature	-40°F - +140°F
Rated Wind Velocity	133 miles per hour
Cable	14.96 inch
Lightning Protection	DC Ground



Installation

The CM230-800MHz Yagi Antenna is a directional antenna. Directional antennas need to be pointed toward the nearest cell tower for the best results.

Mounting Details:

The CM230 800MHz Yagi Antenna includes mounting equipment to attach to a pole .5 inch – 1.5 inch in diameter (pole not included). You can help aim the directional antenna by attaching your phone and then slowly moving the antenna until you get the highest signal.



Part Number: **CM230-1900**

1900MHz Yagi Antenna (14dB)



Overview



This low profile antenna is an external directional Yagi antenna commonly used with our 1900 MHz in-building amplifiers. It works with all networks operating at 1900 MHz frequency

Features

- Designed for outdoor use
- Directional antenna –needs to be pointed toward the tower
- 14 dBi Gain.
- Single Band 1900
- Easy to install

Technical Specifications

Frequency	1850-1990MHz
Input Impedance	50 ohm
Antenna Gain	14 dB at 1850-1990 MHz
VSWR	≤1.5
Polarization Type	Vertical or horizontal
Radiation	Directional
Connector type	N Female or based on customized
Max Power	100 Watts
Beamwidth	E:72 H:5/E:76 H:5
Length	27.72 in.
Mount	Mounts on pole with .5" to 1.5" diameter
Color	White
Number of Elements	14
Operating temperature	-40F° to +140°
Rated Wind Velocity	133 miles per hour
Cable	10.24 inch
Lightning Protection	DC Ground

Installation

The CM230-1900MHz Yagi Antenna is a directional antenna. Directional antennas need to be pointed toward the nearest cell tower for the best results.

Mounting Details:

The CM230 1900MHz Yagi Antenna includes mounting equipment to attach to a pole .5 inch – 1.5 inch in diameter (pole not included). You can help aim the directional antenna by attaching your phone and then slowly moving the antenna until you get the highest signal.



Tel: 1-888-365-6283 Fax: 1-510-996-7250
48820 Kato Rd. Suite 300B. Fremont, CA 94538
www.Cellphone-Mate.com

Ultra-Low-Loss Coaxial Cable

Part Number: **CM400**

Ultra-Low-Loss Coaxial Cable

Overview

The CM400 is our most popular type of cable. This ultra-low-loss coaxial cable comes in a myriad of lengths. This cable is ideal for connecting amplifiers with antennas. It can be used indoors or outdoors to connect to the antennas and amplifiers.

Features

- For indoor/outdoor use
- Ultra Low Loss
- N-Male/N-Male connectors on both ends
- Available in White or Black
- Additional N male connector available for purchase
- Weatherproof, heat shrunk and tested

Technical Specifications

Conductor	Copper-daded aluminum
Conductor Diameter	0.108 inches
Insulation	Foamed PE
Insulation Diameter	0.285 inches
Jacket	PVC
Outer Diameter	0.405
Color	Black
Rated Temperature	-40 to 185°
Rated Voltage	2500
Impedance	50 ohms
Capacitance (pF/ft)	23.9



Models and Length

Model #	Descriptions
CM001-02 CM002-02	2 ft Black or White Cable w N-Male Connectors
CM001-10 CM002-10	10 ft Black or White Cable w N-Male Connectors
CM001-20 CM002-20	20 ft Black or White Cable w N-Male Connectors
CM001-30 CM002-30	30 ft Black or White Cable w N-Male Connectors
CM001-50 CM002-50	50 ft Black or White Cable w N-Male Connectors
CM001-75 CM002-75	75 ft Black or White Cable w N-Male Connectors
CM001-100 CM002-100	100 ft Black or White Cable w N-Male Connectors
CM001-500 CM002-500	500 ft Black or White Cable w N-Male Connectors
CM001-1000	1000 ft Black Cable w N-Male Connectors



Tel: 1-888-365-6283 Fax: 1-510-996-7250
48820 Kato Rd. Suite 300B. Fremont, CA 94538
www.Cellphone-Mate.com

Ultra-Low-Loss Coaxial Cable

Part Number: **CMRG58**

Ultra-Low-Loss Coaxial Cable

Overview

The CMRG58 Ultra-Low-Loss Coaxial cable comes in 3 different lengths. This cable is ideal for connecting amplifiers with an antenna. This is a high-quality RG58 ultra low can be used indoors or outdoors to connect to the antennas and amplifiers.



Features

- For indoor/outdoor use
- Low Loss
- FME-Female/FME-Male connectors on both ends
- Available in Black
- Thinner and lighter than CM400 cable

Models and Length

Model #	Descriptions
CMRG58-6	6 ft Black RG58 Cable w FME/FME Male
CMRG58-20	20 ft Black RG58 Cable w FME/FME Male
CMRG58U-20	20 ft Black RG58 Ultra Cable w FME/FME Male
CMRG58-30	30 ft Black RG58 Cable w FME/FME Male

Technical Specifications

Cutoff Frequency	31GHz
Outer Diameter	.240 inches
Center Conductor	Solid bare copper/stranded core on U
Outer Conductor	Braid, Foil
Velocity of Prop.	84%
I/O Impedance	50
Color	Black
RF Connector	FME Female to FME Male
Temperature Range	-40 to 185°
Jacket	Black PE
Length	20ft, 30ft or by request



Tel: 1-888-365-6283 Fax: 1-510-996-7250
48820 Kato Rd. Suite 300B. Fremont, CA 94538
www.Cellphone-Mate.com

Ultra-Low-Loss Coaxial Cable

Part Number: **CM240**

Ultra-Low-Loss Coaxial Cable

Overview

The CM240 Ultra-Low-Loss Coaxial cable comes in 3 different lengths. This cable can be used indoors or outdoors to connect to the antennas and amplifiers.



Features

- For indoor/outdoor use
- Low Loss
- N-Male/FME-Male connectors on both ends or FME/FME-Male connectors on both ends
- Available in White
- Thinner and lighter than CM400 cable
- Operates with CDMA, GSM, GPRS, TDMA, AMPS and all other

Models and Length

Model #	Descriptions
CM004-10-FN	10 ft White LMR 240 Cable w FME/N Male
CM004-20-FN	20 ft White LMR 240 Cable w FME/N Male
CM004-40 -FN	40 ft White LMR 240 Cable w FME/N Male
CM004-10 -FF	10 ft White LMR 240 Cable w FME/ FME Male
CM004-20--FF	20 ft White LMR 240 Cable w FME/ FME Male
CM004-40-FF	40 ft White LMR 240 Cable w FME/ FME Male

Technical Specifications

Cutoff Frequency	31GHz
Outer Diameter	.240 inches
Center Conductor	Solid bare copper
Outer Conductor	Braid, Foil
Velocity of Prop.	84%
I/O Impedance	50
Color	White
RF Connector	FME Female to N Male/FME Female to FME Male
Temperature Range	-40 to 185°
Jacket	White PE
Length	10ft, 20ft, 40ft or by request



Tel: 1-888-365-6283 Fax: 1-510-996-7250
48820 Kato Rd. Suite 300B. Fremont, CA 94538
www.Cellphone-Mate.com

Part Number: CM-S-2/CM-S-3/CM-S-4

Dual Band Splitter



Overview

These splitters for 800MHz and/or 1900MHz band systems allow from 2 to 4 inside antennas to be used with a single amplifier. Each inside antenna connection has ≤ 0.4 dB signal loss.

How it Works

These splitters distribute equal amounts of signal sent to two interior antennas for similarly sized areas.

Technical Specifications

	2 Way Splitter	3 Way Splitter	4 Way Splitter
Model#	CM-S-2	CM-S-3	CM-S-4
Frequency Range	800 ~ 2500 MHz	800 ~ 2500 MHz	800 ~ 2500 MHz
Insertion Loss	≤ 0.4 dB	≤ 0.5 dB	≤ 0.6 dB
Isolation	≥ 22 dB	≥ 22 dB	≥ 22 dB
VSWR	$\leq 1.5:1$	$\leq 1.5:1$	$\leq 1.5:1$
Maximum Power	20W	20W	20W

Part Number: CM-C-6/CM-C-10

Dual Band Coupler



Model #	CM-C-6	CM-C-10
Description	6dB Coupler	10dB Coupler

Overview

These couplers are for 800MHz and/or 1900 MHz band systems. They allow from 2 to 4 inside antennas to be used with a single amplifier with the ability to focus signal to a specific area.

How it Works

These couplers split signals (like a splitter), but focuses them more in one specified region. If you want more power concentrated into a corner for example, then a coupler is the ideal thing to do.



Part Number: CM-LP

Lightning Protector

Overview

Lightning can possibly short circuit your electronics including your cellphone antennas. This can be prevented with the correct coaxial surge protectors.



Technical Specifications

Items	Specification
Frequency range max	3 GHz
Dielectric Withstanding Voltage	2500V (RMS)
Insulation Resistance	≥5000MΩ
Contact Resistance	Center conductor ≤1mΩ, Outer conductor ≤ 1mΩ
VSWR	0~2.3 GHz < 1.2
I/O Impedance	50 Ω
Material	PHOSPHOR BRONZE/ BRASS
Insulator	PTFE
Color	Nickel
RF Connector	N female to N male
Operating Temperature	- 55°C to +155 °C / -67~ +361 °F

How it Works

Insert protector between the inline of an outside antenna and an amplifier. The protector does not connect directly to an amplifier. The Lightning protector needs to be grounded.

- N type Connectors
- Weather-proof
- Attenuation <0.2dB
- Frequency range up to 3GHz
- Replaceable gas discharge element



Tel: 1-888-365-6283 Fax: 1-510-996-7250
48820 Kato Rd. Suite 300B. Fremont, CA 94538
www.Cellphone-Mate.com

Part Number: CM-CN

Overview

Our adapters/connectors are used to convert different size end connectors to cables, antennas or amplifiers.

How it Works

Please check your antenna / amplifier specifications for the correct connector parts required for your installation.

Item List



CM-CN-01 N female to N female connector



CM-CN-02 N male to SMA female connector



CM-CN-03 N male to FME female connector



CM-CN-04 N male to FME male connector



CM-CN-05 N male to SMA male connector



CM-CN-06 SMA male to FME male connector



CM-CN-07 N female to SMA male cable connector



CM-CN-08 SMA male to FME female connector



CM-CN-09 N male connector



CM-CN-10 N female to FME female connector



CM-CN-11 N female to FME male connector



CM-CN-12 N male to N male connector

Part Number: CM-AC-01/CM-AC-02

Wall Plug-in Power Supply

CM-AC-01 Overview

This CELLPHONE-MATE AC/DC 9V Power Supply is compatible with single band Building Amplifier/Repeaters. Including the 55dB, 60dB, 65dB, and 70dB

- 9 voltage A/C adapter
- Converts 120V AC to 9V DC
- For In-building amplifiers
- Plugs into standard wall outlet
- AC/DC Switching Adapter
- Color: Black
- 6feet cable



CM-AC-02 Overview

This CELLPHONE-MATE AC/DC 6V Power Supply is compatible with the Dual Band Amplifiers including our CM2000 and CM2000-WL line of products

- 6 voltage A/C adapter
- Converts 120V AC to 6V DC
- For dual band amplifiers
- Plugs into standard wall outlet
- AC/DC Switching Adapter
- Color: Black
- 6feet cable



Part Number: CM-DC

Car Charger

Overview

These car chargers enable you to power any mobile amplifiers such as the CM2000-WL amplifier series into any vehicle outlet.

- DC type adapter
- For in vehicular amplifiers
- Plugs into car lighter port
- Color: black



How it Works

The DC adapter plugs into your car lighter port and the amplifier to charge the amplifier. There are three different DC chargers available. 2 6V chargers have different cords, depending on your preference (curled vs. straight) and a 12V charger to meet the needs of different amplifiers.

Item List

CMDC-01	12V to6V DC Car Charger Curled Cord
CMDC-03	12V to6V DC Car Charger Straight Cord
CMDC-04	12V DC Car Charger Straight Cord



Tel: 1-888-365-6283 Fax: 1-510-996-7250
48820 Kato Rd. Suite 300B. Fremont, CA 94538
www.Cellphone-Mate.com